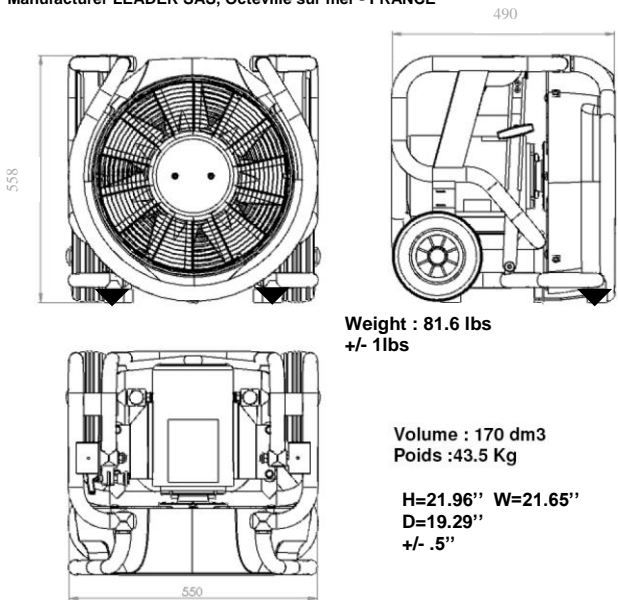


## EDS230 2HP NEO : GENERAL FEATURES

Manufacturer's reference I63.10.033N  
Manufacturer LEADER SAS, Octeville sur mer - FRANCE



### Construction:

- 1.5KW (2hp) 115V±10% - 60 Hz - Single-phase motor TEFC
- GFCI compatible
- Operates on 20 amp circuit breaker with up to 200ft of 12awg wire
- Nominal maximum current required: 18.7 amps
- A high-tech composite grid
- Impeller made of composite resin - ø 16.5" – aluminium hub
- Noise level +/- 86.3 dB(A) at 10ft
- UL motor certification
- Retractable handle
- Angle of tilt adjustable (from 10° to 20°).
- Airflow 19070 cfm

Warranty: 6 years, parts and labour, wear parts excluded  
2 years for electric motor

This equipment is designed and manufactured in FRANCE.

## INSTRUCTIONS FOR START-UP:

The following checks must be carried out before first starting the fan:

- Make a visual check of the ventilator and its accessories to make sure that no damage occurred during transport.
- If there is any unusual noise, or if the impeller gets stuck, stop the engine and contact **Leader North America** immediately.

**WARNING:** Do not attempt to start the ventilator if you notice any kind of anomaly. Contact **Leader North America** immediately.

- Make sure that everyone responsible for or using this equipment is fully aware of the safety and operating precautions pertaining to rotating machinery.

## START-UP OPERATIONS:

The way the **EDS230 2HP NEO** fan is started depends on the terrain on which it is being used.



Freely downloadable interactive ventilation courses at [www.leader.educexpert.com](http://www.leader.educexpert.com)

1/ Place the ventilator on a flat surface where there are no slippery products and which is clear of debris. Make sure there is no obstacle between the fan and the opening for air entry.

2/ Start the fan after making sure that it is in a stable position.

3/ During blowing operations, regularly check that no obstacle is preventing the airflow from penetrating the interior of the building, or blocking the fan's suction grill.

## USING :

**Warning:** Always keep your hands away from moving parts.

### Before starting:

1. Use wiring strengths which are compatible with the installed capacity.
2. Place the **EDS230 2HP NEO** fan on a flat surface with no slippery products or debris, and make sure that there is no obstacle between the fan and the opening for air entry.

### Starting the motor:



Regardless the power supply (whether it be mains or generator) make certain that the necessary energy is present and stable in tension and frequency (Nominal +/-10%) before plugging the device.

1. Start the fan after making sure that it is in a stable position
2. Move the motor switch to the 'I' position.

### Stopping the motor:

1. Move the motor switch to the '0' position.

### USE WITH PORTABLE GENERATING SETS:

Electric motors require a high level of power to start up. If the **EDS230 2HP NEO** ventilator is used with a portable generating set, **Leader North America** recommends that a minimum power level of 3kVA should be available.

## ADJUSTING THE TILT:

Use between 6 and 20 feet from the opening

- 1) Lift the carrying handle, the fan is automatically tilted to an angle of 10° (operating angle recommended for 90% of incidents).



- 2) To close the carrying handle, unlock it using the index pin (ref. A).

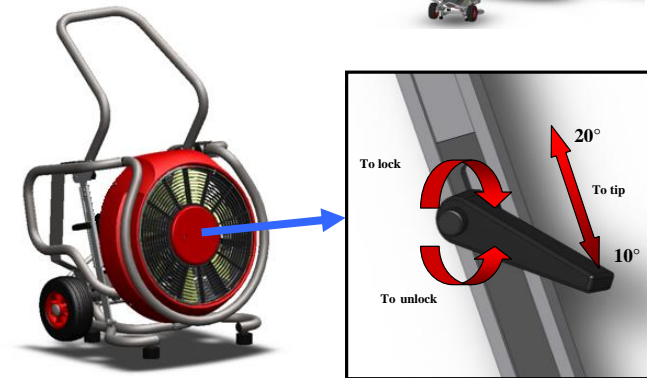
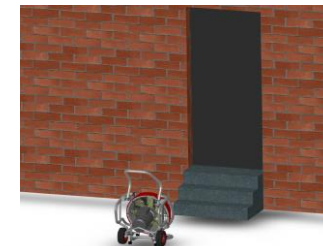
## ADJUSTING THE TILT: LANDING, ENTRY WITH STEPS, OR WINDOW:

Use between 12 and 20 feet from the opening

- 1) To adjust the tilt between 10° and 20°, unlock the tilt adjustment lever by moving it a quarter turn.

- 2) Tilt the fan manually so as to center the jet on the opening.

- 3). Lock the lever while holding the fan in place so as not to alter the tilt.



This document has been drawn up in order to help you get to know how to use your ventilator.

All operating and safety instructions must be strictly followed in order to avoid accidents or problems. All operations involving dismantling or repair must be carried out by **Leader North America**, or by an approved dealer.

This document demonstrates the ease of use and maintenance of the ventilator. If you have any suggestions for improving this document, **Leader North America** would be very happy to hear them. Please do not hesitate to contact us.



**FABRICANT**  
**MANUFACTURER**  
**FABRICANTE**

**LEADER S.A.S.**  
Z.I. des Hautes-Vallées  
Chemin n° 34  
CS20014  
76930 Octeville sur Mer  
France



[www.leader-group.eu](http://www.leader-group.eu)  
[www.LeaderNorthAmerica.com](http://www.LeaderNorthAmerica.com)

Our policy is to constantly seek to improve our products. We therefore reserve the right to change their technical specifications at any time and without prior notice. - Non contractual images

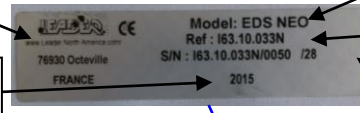


*Translation of original user's*

**SAFETY INSTRUCTIONS :**

- This equipment should be used only by fire-fighting professionals.
- Read this manual completely, together with the attached instructions for the use and maintenance of the engine before starting up or using the equipment.
- Keep fingers and hands away from the impeller and the hot parts of the equipment.
- This ventilator must be operated or repaired only by qualified, trained staff.
- Do not start up the engine if the blades or the protective shroud show any signs of damage.
- Never move the ventilator when it is running at full speed.
- Only use genuine spare parts supplied by Leader North America when replacing defective parts.
- During maintenance operations, the wire leading to the spark-plug should be removed and fixed elsewhere.
- **EDS ventilator must not be used in explosive atmospheres.**
- Do not remain in the fan's outlet area (risk of flying debris).
- Keep this equipment out of reach of children.
- Wear safety glasses, gloves and earmuffs when using this ventilator.
- Never allow anyone to use a ventilator without first giving them the necessary instructions.
- Do not wear loose clothing which could get caught in the ventilator.

**Identification:**



Designation  
Reference  
Serial Number

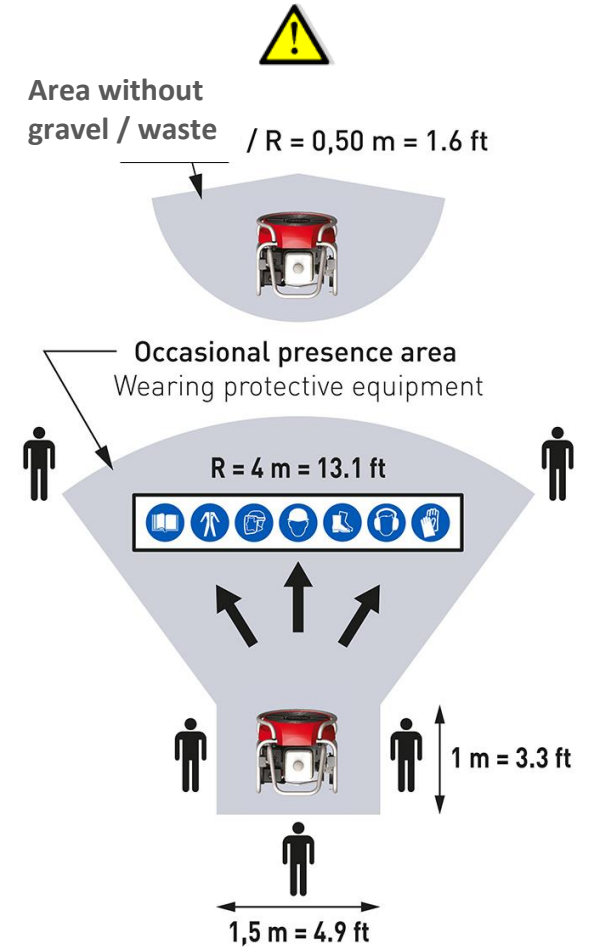
Contact  
Date of manufacture



**Optional accessories:**

High expansion foam adapter without coupling	<b>I60.20.105</b>
5m ventilation duct	<b>I60.20.101</b>
Protective cover	<b>I60.20.017</b>
Prop for -10° tilt, useful for ventilating semi-basements	<b>I60.20.130</b>
5m diam. duct 400mm for V-BOX extractor/blower kit	<b>I63.20.014</b>
V-BOX cube for extractor/blower kit	<b>I63.20.017</b>

**PRECAUTIONS FOR USE:**



**NB:** This ventilator operates on the high-speed entrained air principle. These portable ventilators are designed to clear smoke and gas, volatile or otherwise, by their blowing (or positive power) action, in all types of premises where an exit has been prepared. They are designed to be used between 6 to 20 feet away from the opening concerned. **Leader North America** recommends that the minimum opening for escaping smoke should be the same size as the entry opening; the ideal would be double the size.